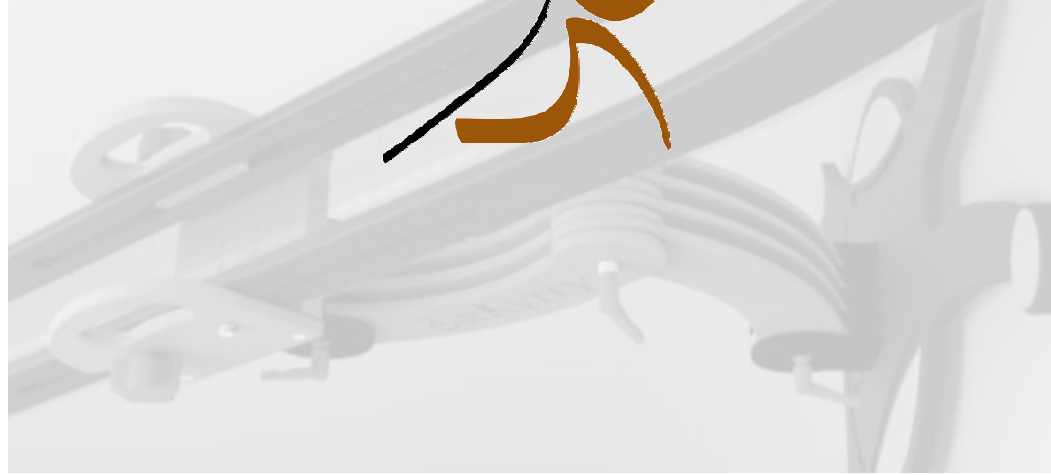


Owner's Instruction Manual



WARNING
READ THE OWNER'S MANUAL BEFORE USE.

BRKIVITY™
Premium Roceta Gear
Shenafi
Transmission

Thank you for purchasing The Boss bocchia ramp.

Please refer to these instructions for assembly and adjustment and care and use of your ramp. Please note all warnings.

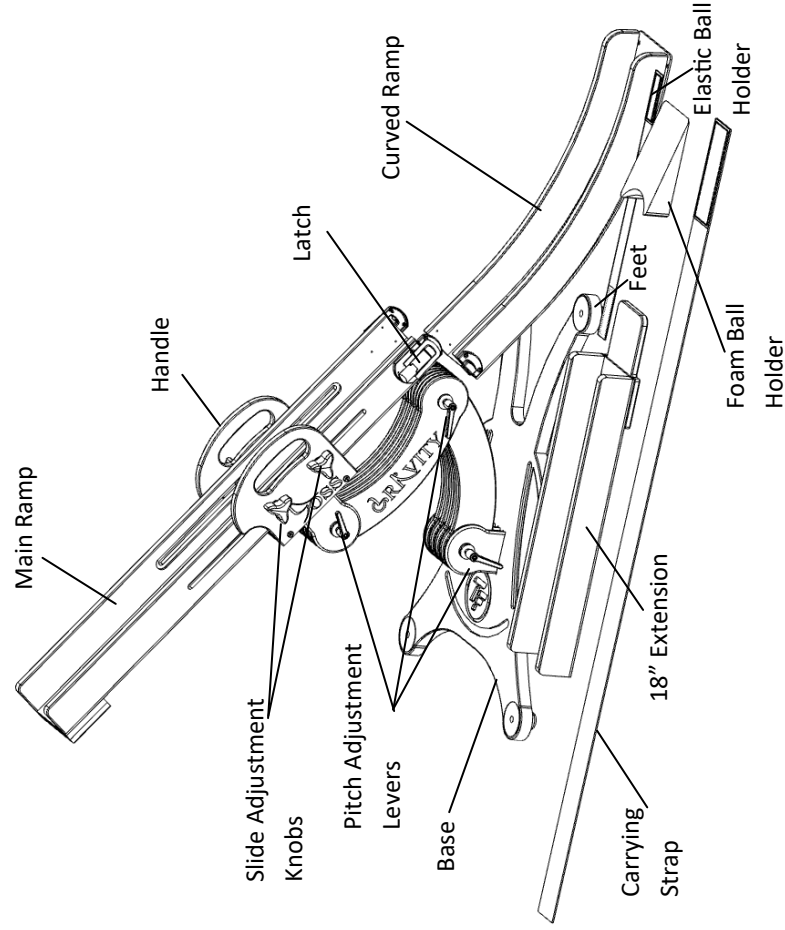


Caution: Read instructions before operating device.

Table of Contents

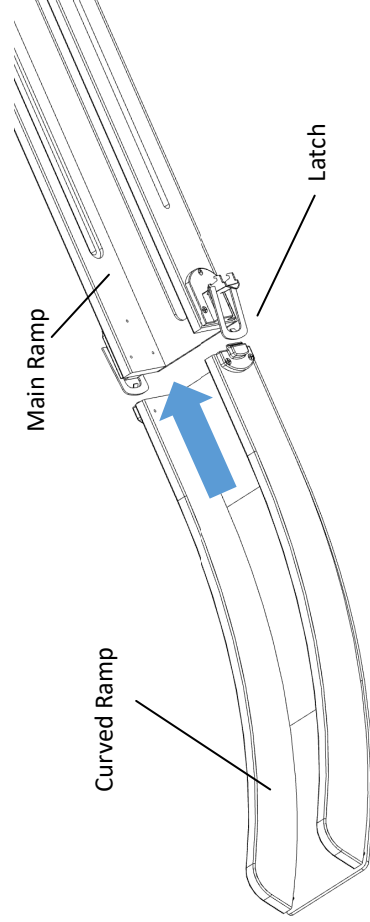
Parts Identification.....	3
Assembling the Boss.....	3,4
Adjusting Pitch	5
Adjusting Proximity to Athlete	6
Adjusting Aiming Point	7
Leveling the Base.....	7
Carrying the Ramp	8
Using Ball Holders	11
Product Part Numbers	11
Overall Dimensions	12
Care and Cleaning	12
Warranty Information	12

Parts Identification



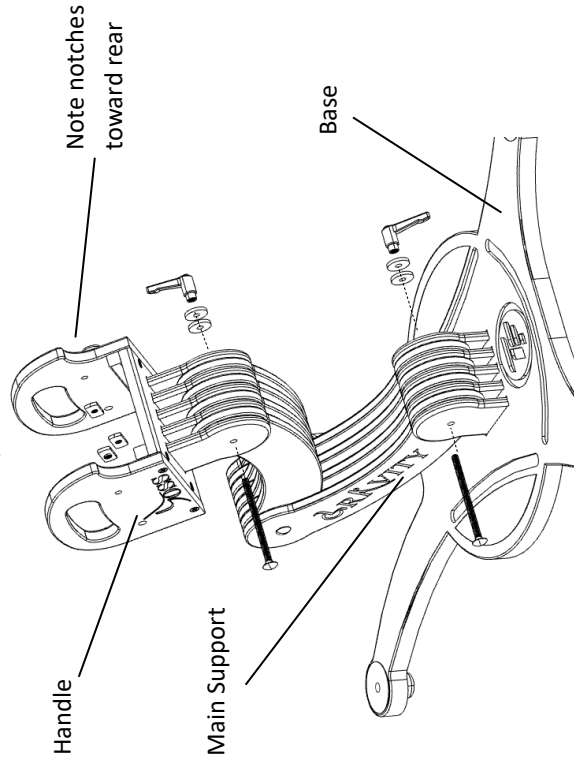
Assembling the Boss

Your Boss comes partially disassembled. Line up the Curved Ramp with the Main Ramp and close the Latches.

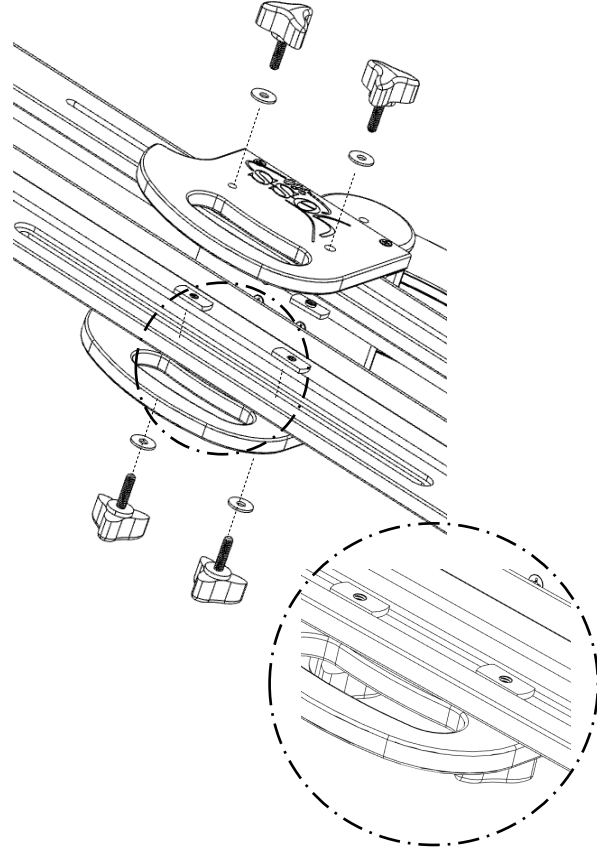


Assembling the Boss

Attach the main support to the base and the handle using the bolts shown below. Use 2 plastic washers for each lever knob.

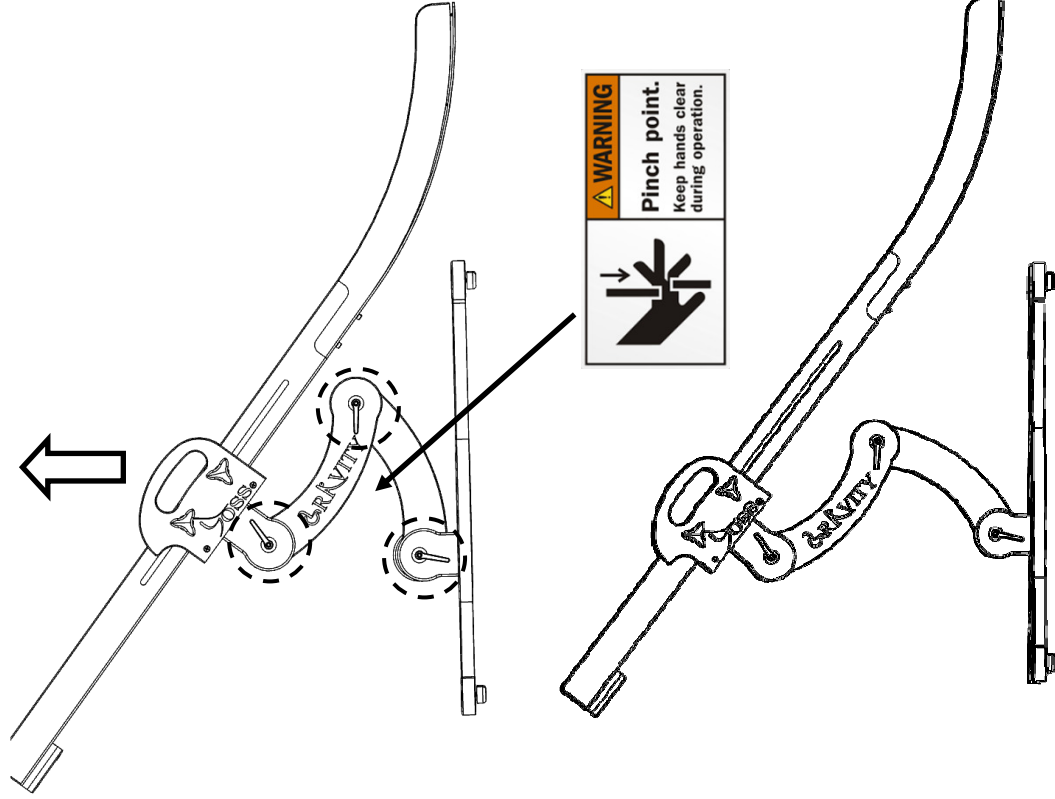


Install the main ramp to the handle as shown below.



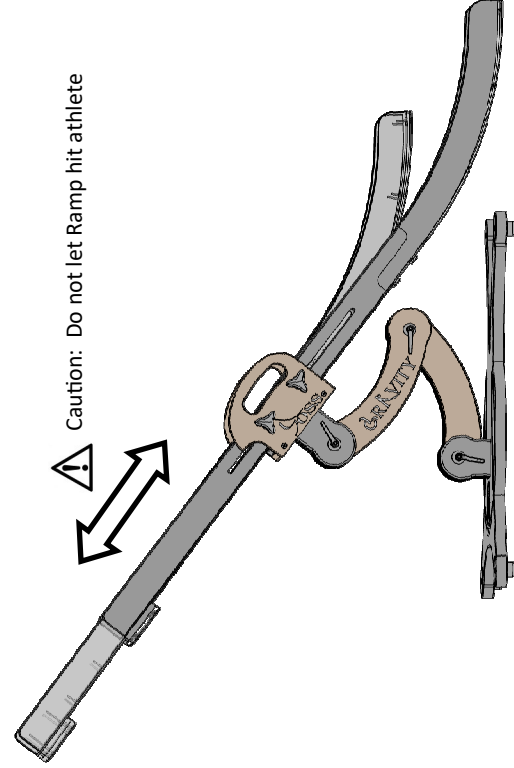
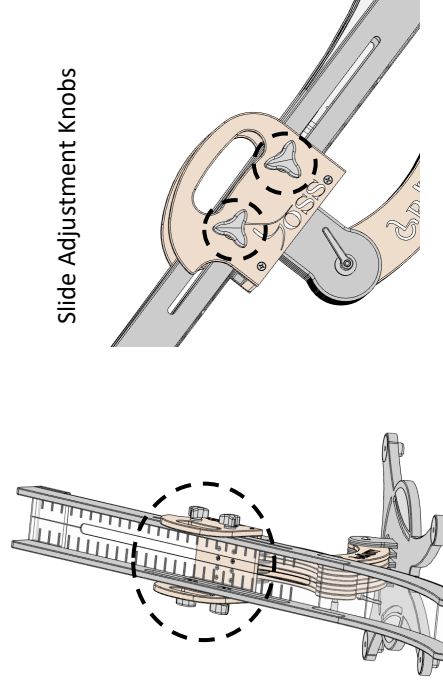
Adjusting the Pitch of the Ramp

Loosen the 3 Pitch Adjustment levers. Pull or push on the handle to obtain the desired pitch. Retighten levers. It is not necessary to apply high torque to tighten the levers.



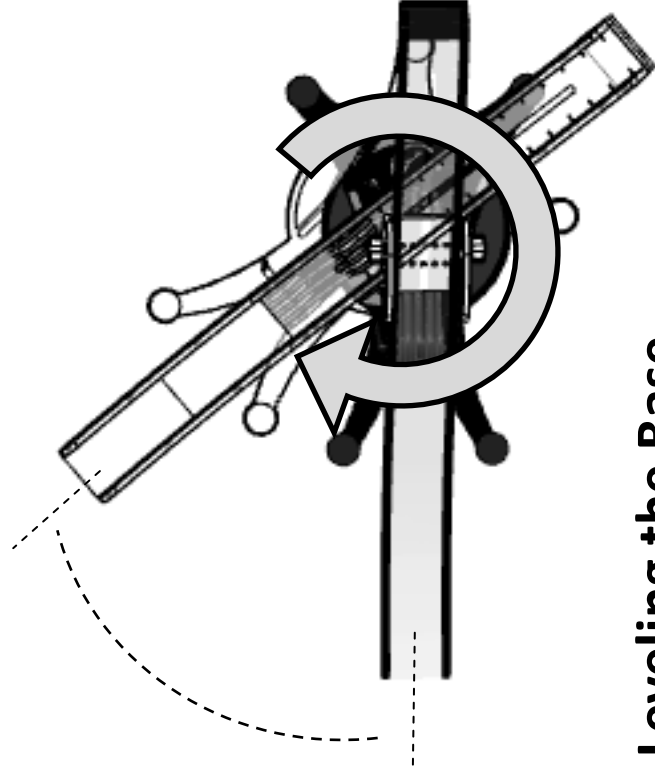
Adjusting Proximity of Ramp to Athlete and/or Ramp Height

Loosen the 4 Slide Adjustment knobs. Slide the ramp to desired position. Retighten knobs. It is not necessary to apply high torque to tighten the knobs.



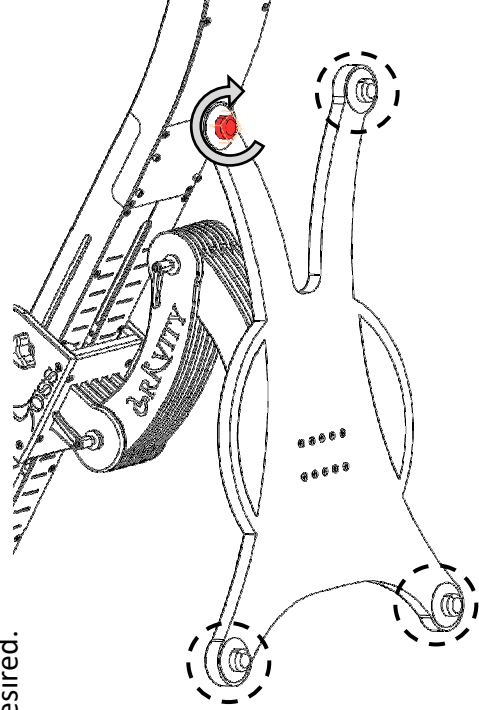
Adjusting Aiming Point

Rotate the ramp to aim point. Secure with foot if desired.



Leveling the Base

Rotate the feet to level base. Feet can be completely removed if desired.

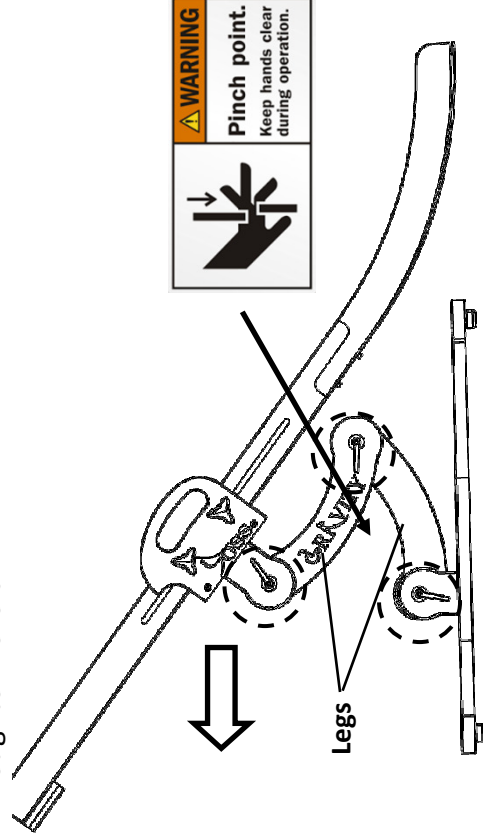


Carrying the Ramp

Getting ramp into carrying position:

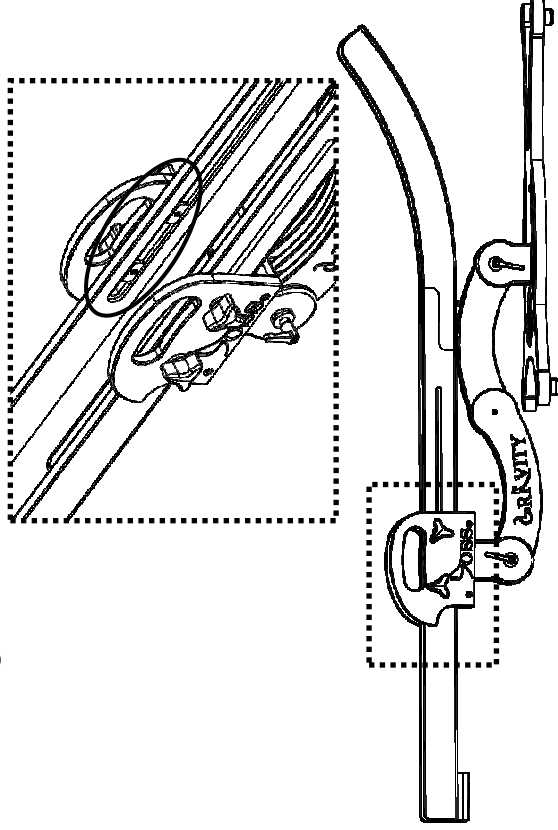
1. Loosen 3 pitch levers. Adjust ramp legs so they are completely behind the bottom lever and almost parallel with the ground. Align ramp so it is horizontal (see lower picture).

Retighten Levers

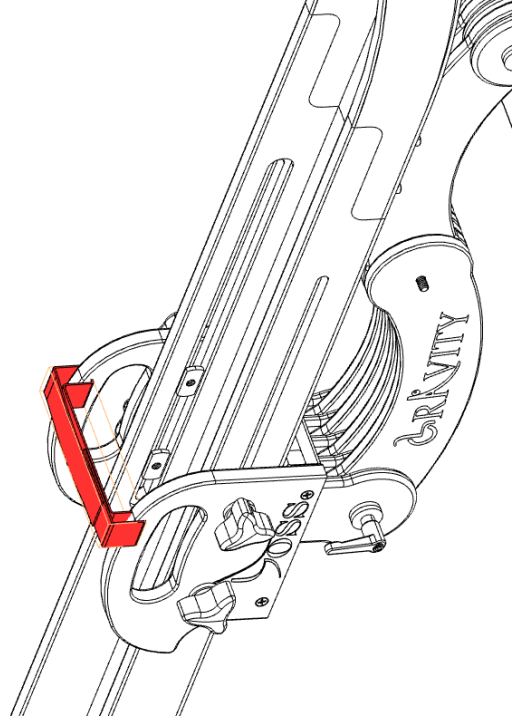


2. Loosen 4 slide adjustment knobs. Slide the ramp all the way forward within the slots.

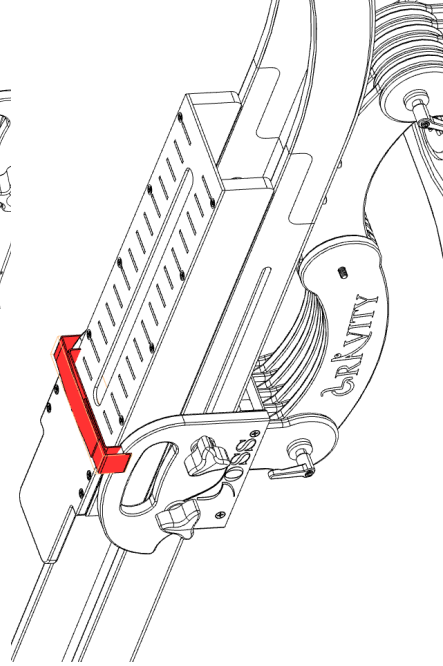
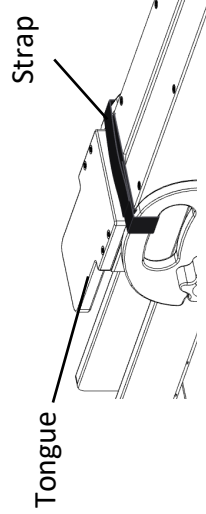
2a. Retighten all knobs



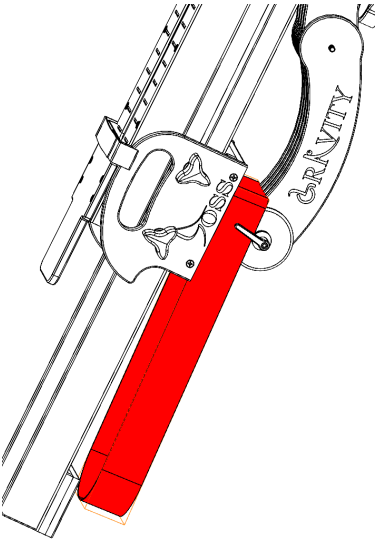
3. Wrap elastic ball holder strap through the handles as shown.



4. Place the 18" Extension onto ramp upside down and slide under elastic strap into position shown. Tongue will catch on strap to prevent sliding.

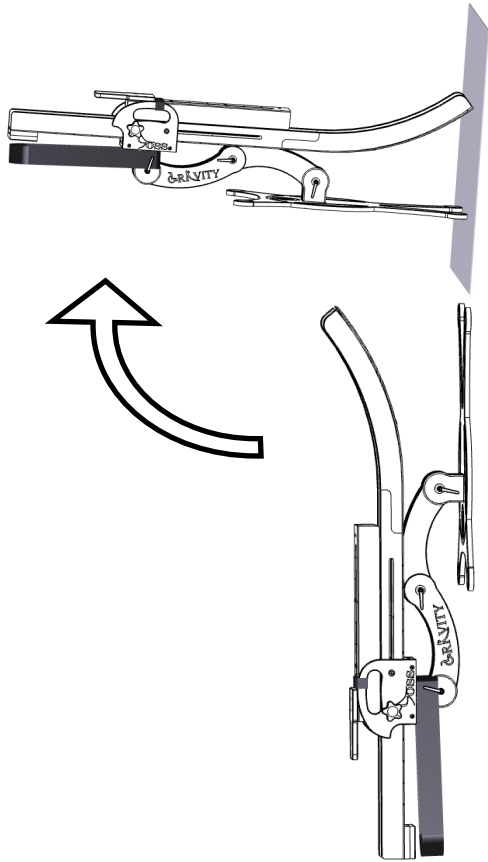


5. Wrap carrying strap under handle as shown.



6. Place the ramp into standing position. Place Carrying Strap over shoulder.

For more information refer to www.therafininnovation.com to see our video explanations.

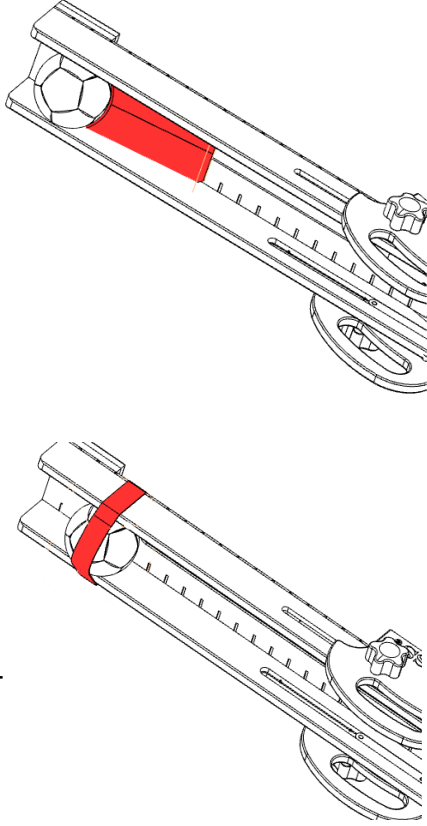


Using Ball Holders

Elastic ball holder strap (below left image) can be stretched around entire ramp with ball placed underneath. Adjust tension as needed.

Foam ball holder (below right image) can be placed anywhere on the ramp between the guide walls. Ball rests behind.

For video explanations visit www.therafininnovation.com

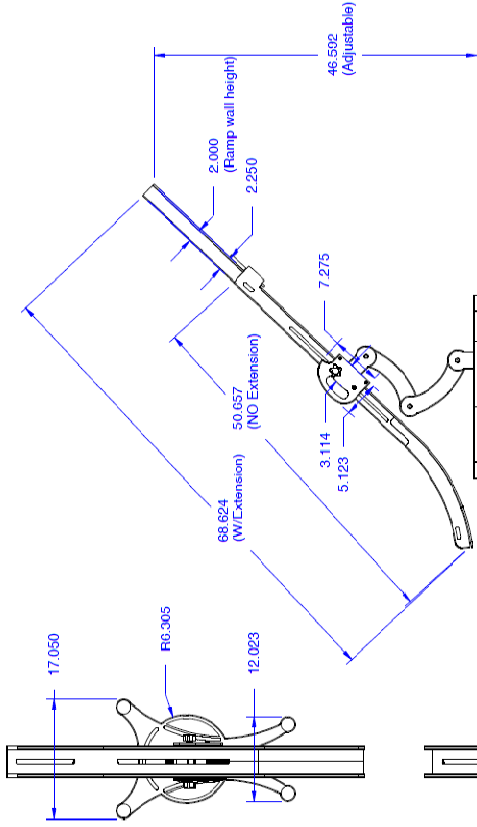


Ramp and Extension Part Numbers:

The Boss Ramp 35001	
18" Extension	Included in 35001
24" Extension	35003

Replacement Part Numbers:

Carry Strap	35011
Ball Holder Foam	35012
Ball Holder Strap	35004
Adjustment Levers	35007
Adjustment Knobs	35008



*** Units are in Inches

Care and Cleaning

⚠ Caution: Always tighten all fasteners securely and inspect fasteners regularly for tightness.

1. Clean with mild detergent and water using damp cloth. Air Dry.



2. Check all fasteners and retighten as needed.

Warranty

Any product found to be defective due to the material or workmanship within one year will be replaced under our return policy following product evaluation by Therafin Corporation. This replacement warranty does not include misuse or neglect of the product.

Document 08687
Revision E 10-2018



Therafin Corporation
9450 W Laraway Road
Frankfort, IL 60423 **USA**
800-843-7234
www.therafininnovation.com